

SLIDING GLASS DOOR

ES-SGD2020



System Description

- Sliding glass door system.
- Frame depth 2 track: 4 3/8".
3 track: 6 7/16", 4 track: 8 1/2".
- Large and Small missile impact rated.
- Designed for: 9/16" laminated and 1 1/16" insulated-laminated glass.

Features

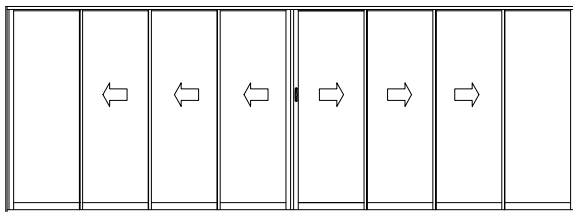
- High quality adjustable roller.
- Screens & corners options available .
- ADA sill option available.
- 2, 3,4 and 5 track configurations available. (Certifications might not consider every configuration).

Test

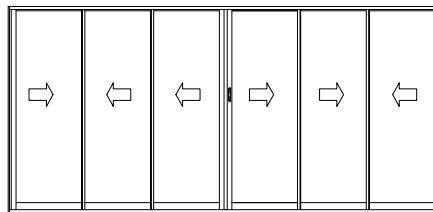
- Design loads: +65/- 65 PSF.
 - Water infiltration: 12 PSF.
 - Air infiltration: 6.24 PSF.
- This data corresponds to the highest values obtained for some configurations. It can vary and may not apply to all.

Configurations

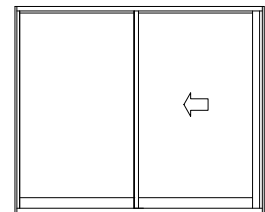
Four Tracks



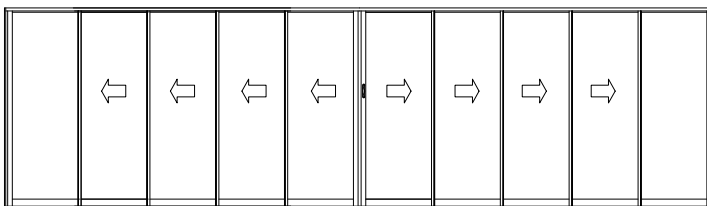
Three Tracks



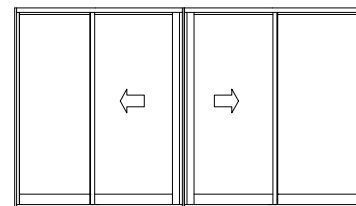
Two Tracks



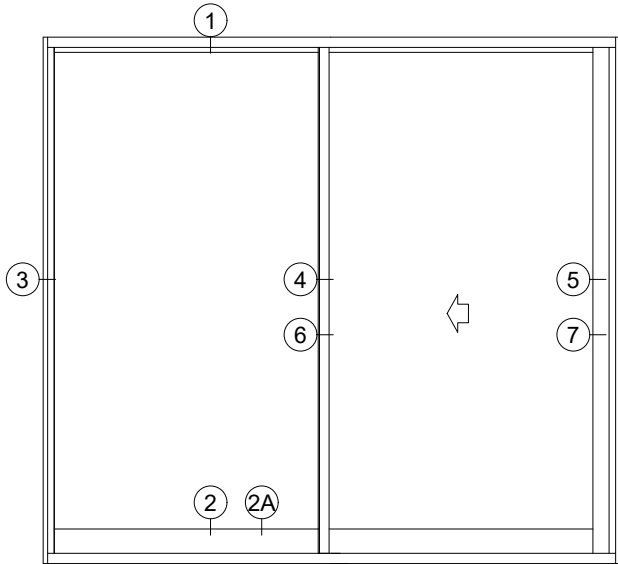
Five Tracks



Corner



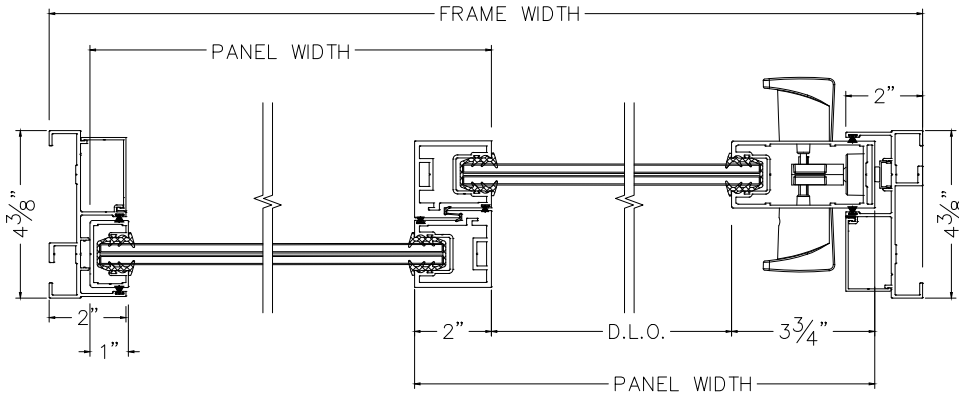
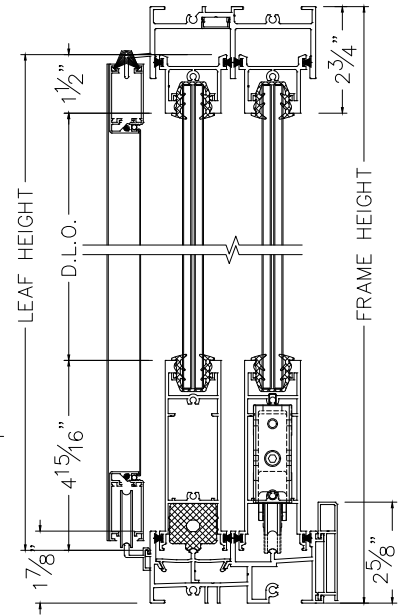
System details



2 TRACKS

1 HEAD

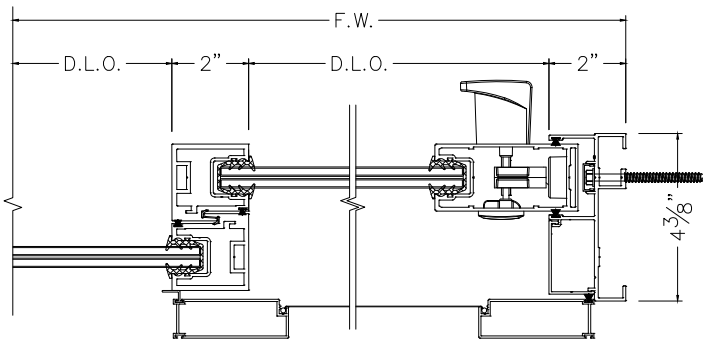
2 SILL
SCREEN OPTIONAL



3 JAMB

4 INTERLOCK

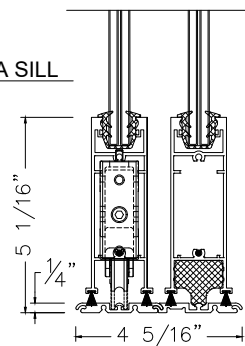
5 JAMB



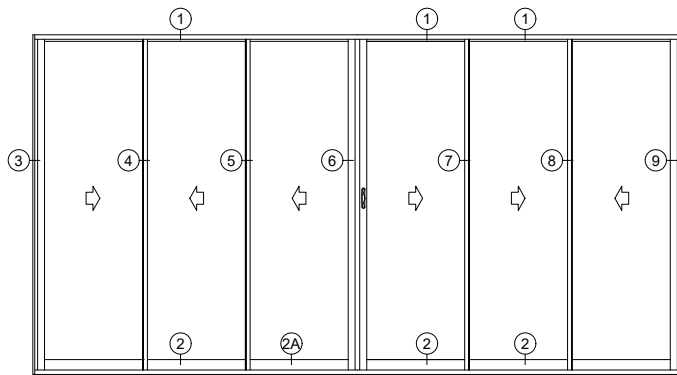
6 INTERLOCK

7 JAMB

2A ADA SILL



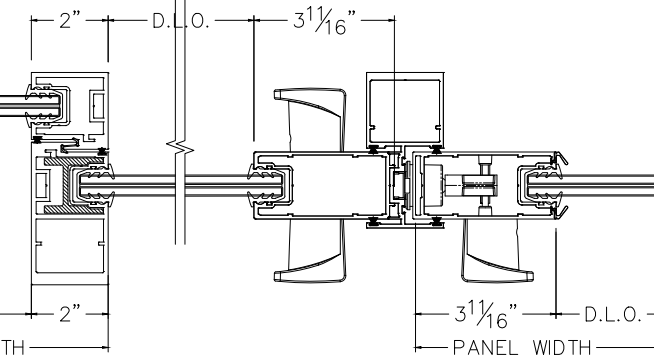
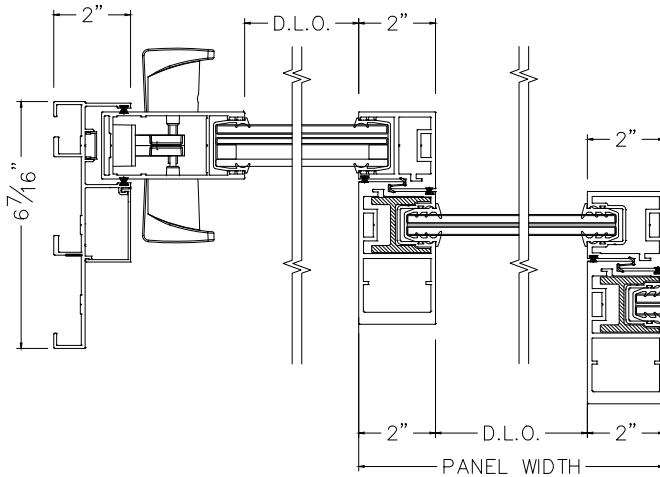
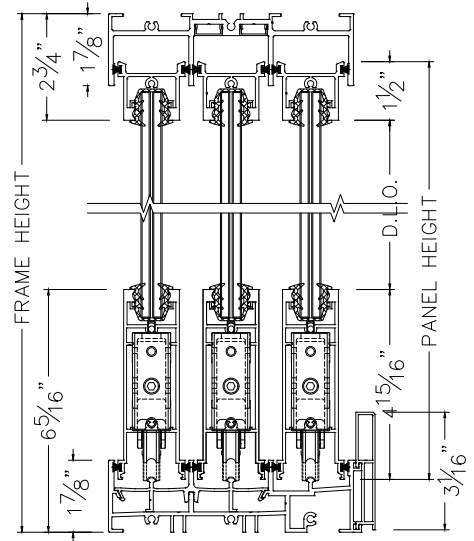
System details



3 TRACKS

1 HEAD

2 SILL

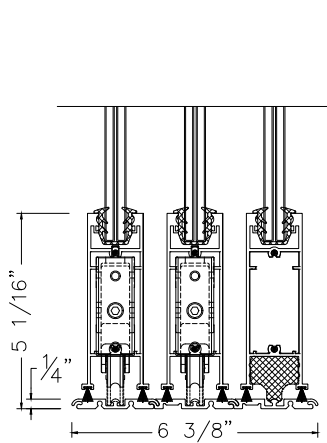


3 JAMB

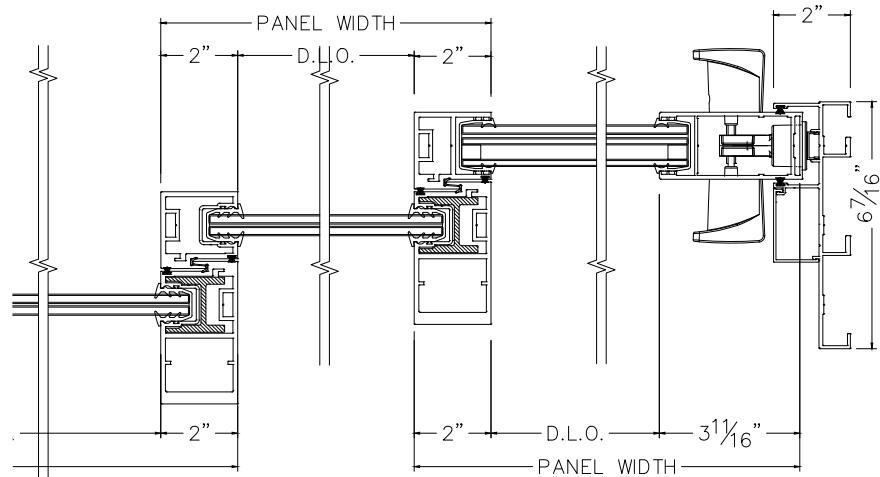
4 INTERLOCK

5 INTERLOCK

6 ASTRAGAL



2A ADA SILL

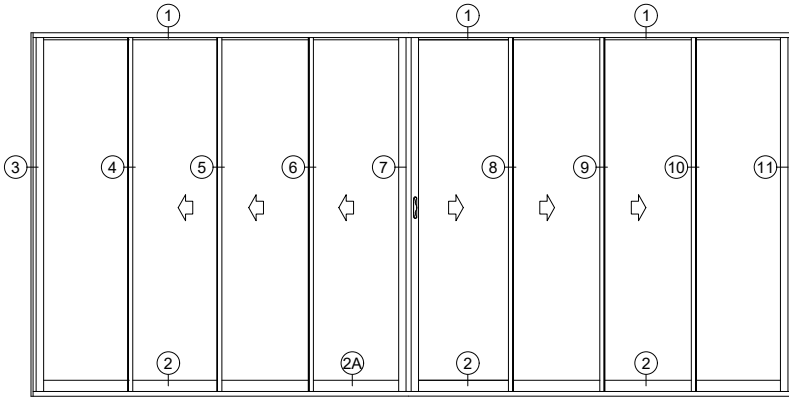


7 INTERLOCK

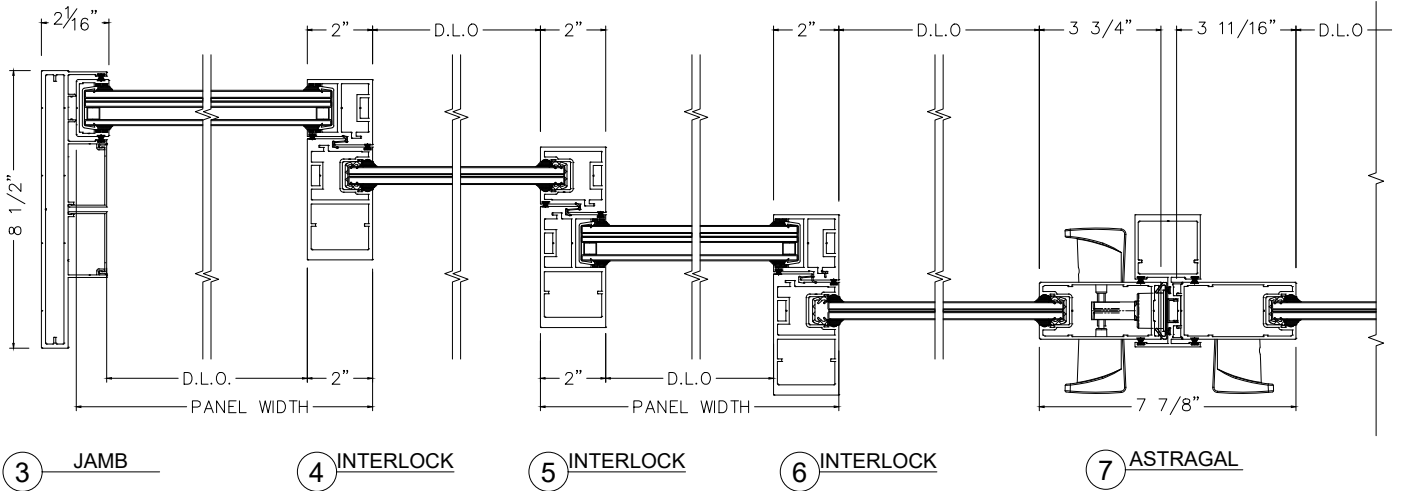
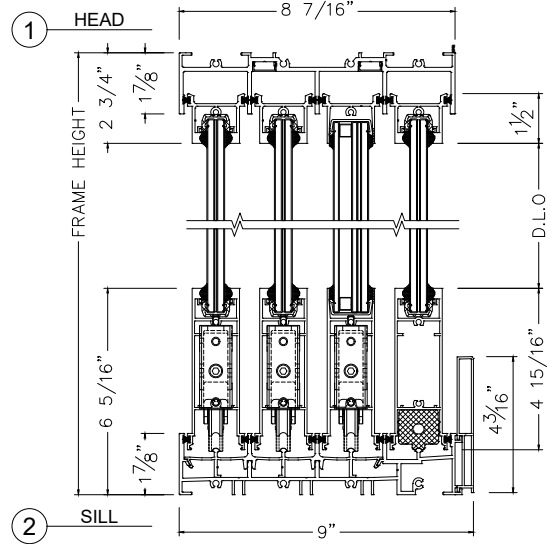
8 INTERLOCK

9 JAMB

System details



4 TRACKS



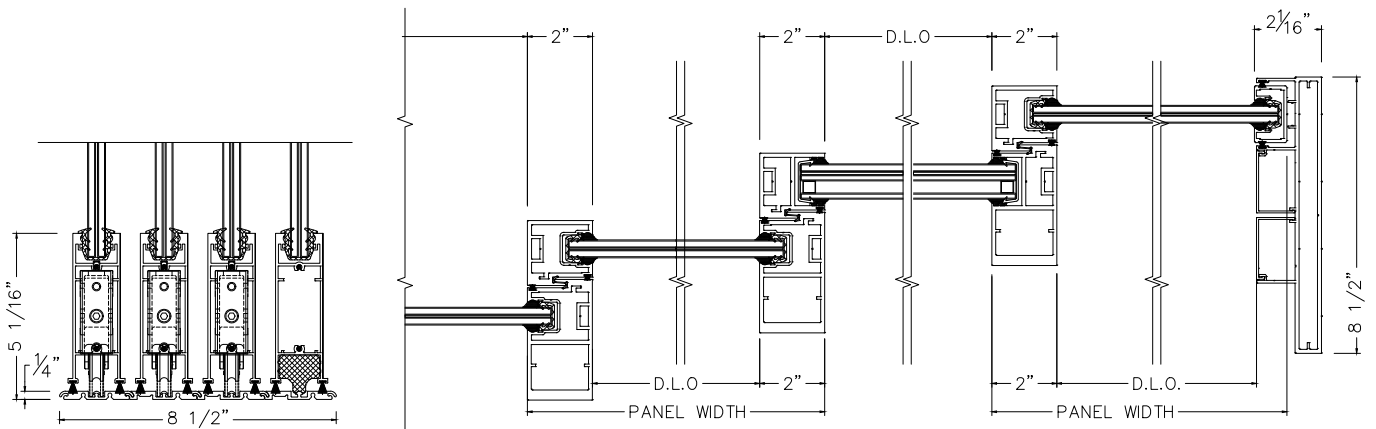
3 JAMB

4 INTERLOCK

5 INTERLOCK

6 INTERLOCK

7 ASTRAGAL



2A ADA SILL

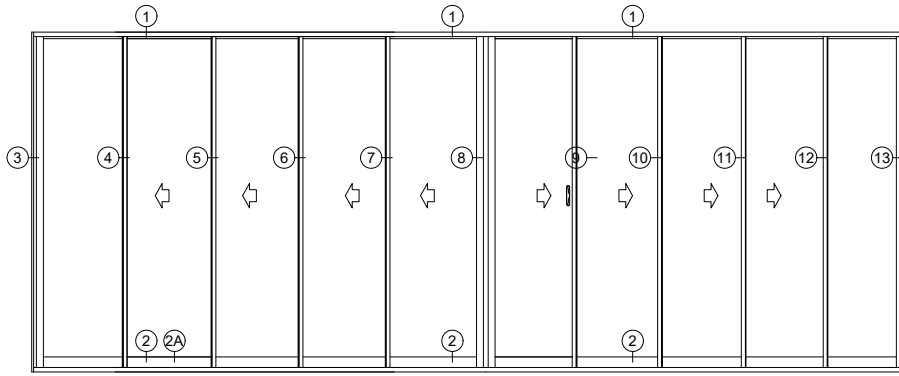
8 INTERLOCK

9 INTERLOCK

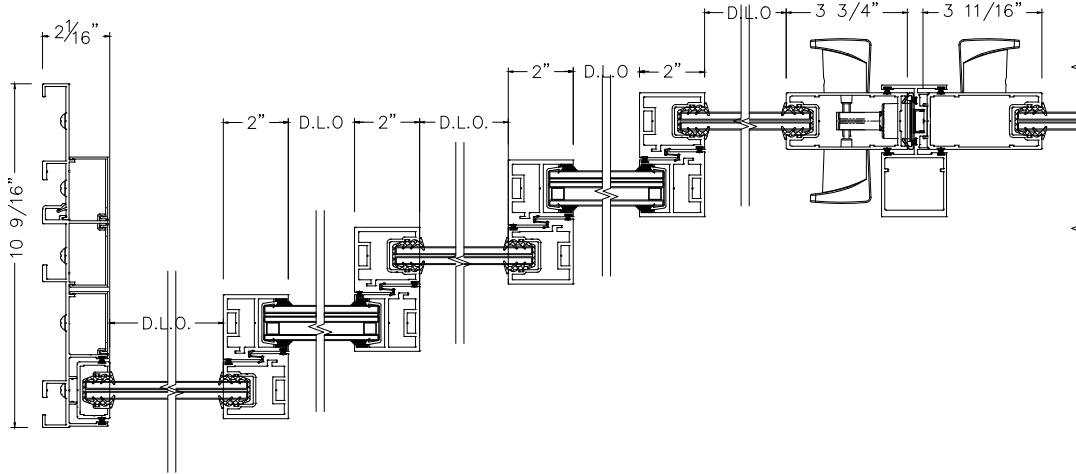
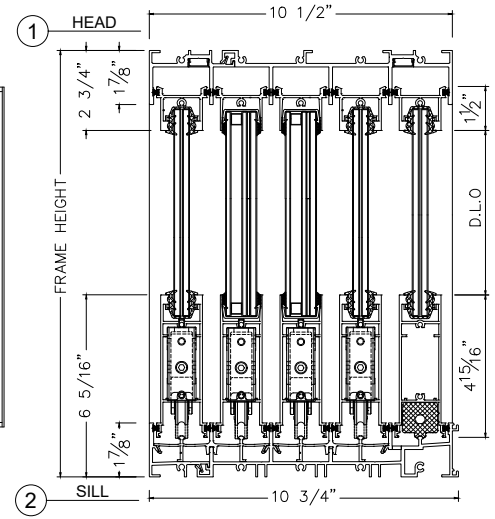
10 INTERLOCK

11 JAMB

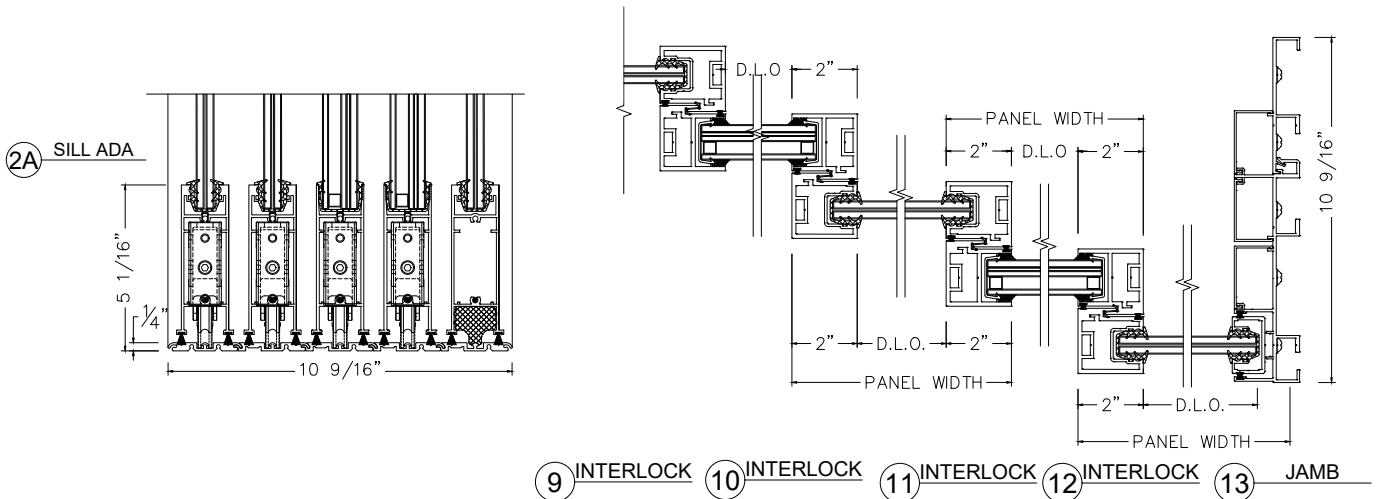
System details



5 TRACKS

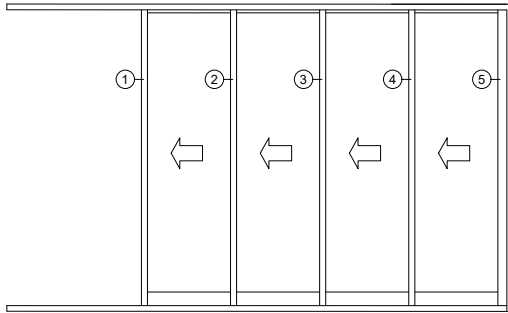


3 JAMB 4 INTERLOCK 5 INTERLOCK 6 INTERLOCK 7 INTERLOCK 8 ASTRAGAL

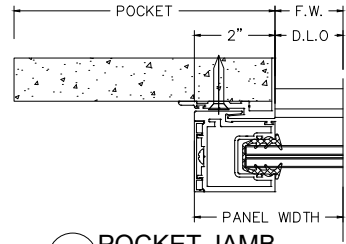


9 INTERLOCK 10 INTERLOCK 11 INTERLOCK 12 INTERLOCK 13 JAMB

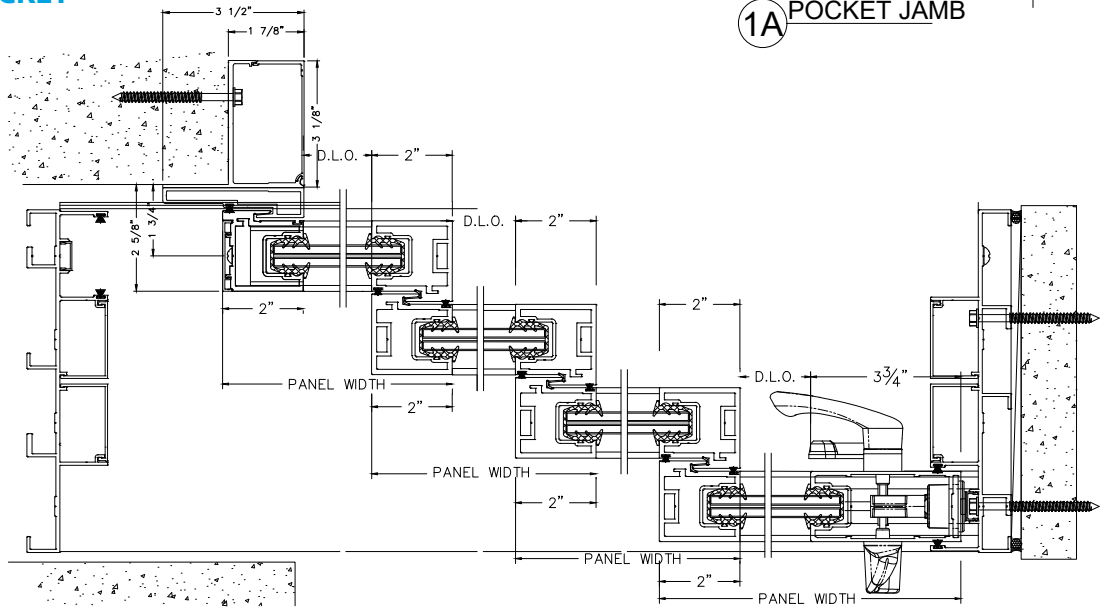
System details



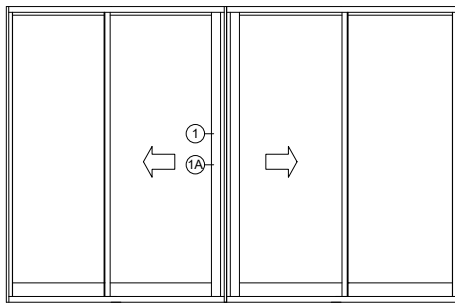
POCKET



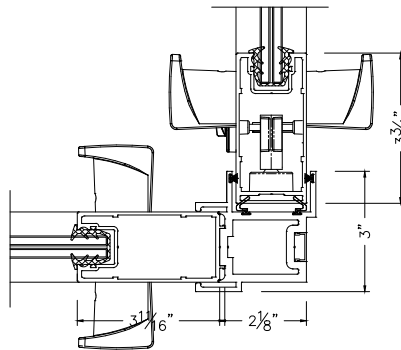
1A POCKET JAMB



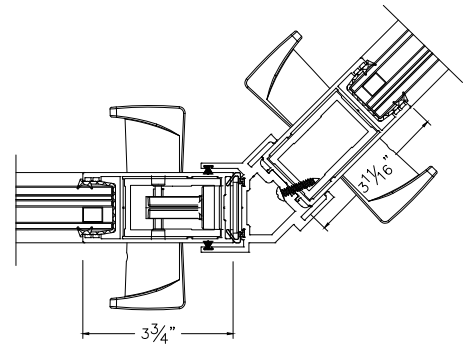
1 POCKET JAMB 2 INTERLOCK 3 INTERLOCK 4 INTERLOCK 5 JAMB



CORNERS



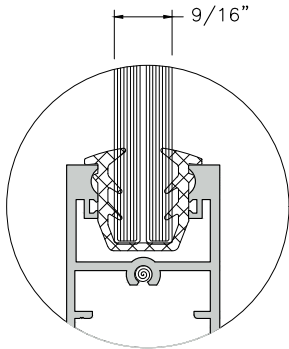
1 90 CORNER



1A 135 CORNER

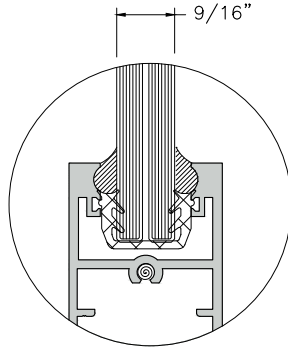
Glazing Options

Small missile impact

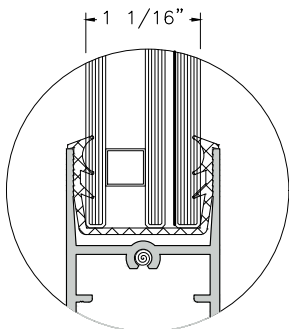


G1 (SMI) Laminated glass

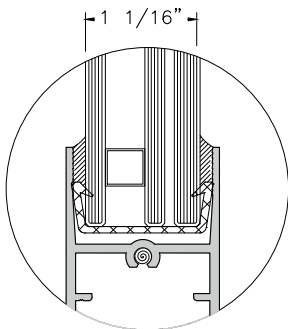
Large missile impact



G2 (LMI) Laminated glass



G3 (SMI)
Insulating-laminated glass



G4 (LMI)
Insulating-laminated glass

For more information contact TECNOGLASS® or visit www.tecnoglass.com

G1: 1/4" Heat Stren'd + 0.09" Interlayer + 1/4" Heat Stren'd.

G2: 1/4" Heat Stren'd + 0.09" Interlayer + 1/4" Heat Stren'd.

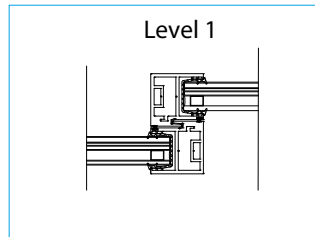
G3: 3/16" Tempered glass + 3/8" Air spacer + 3/16" Heat Stren'd + 0.90" Interlayer + 1/4" Heat Stren'd.

G4: 3/16" Tempered glass + 3/8" Air spacer + 3/16" Heat Stren'd + 0.90" Interlayer + 1/4" Heat Stren'd.

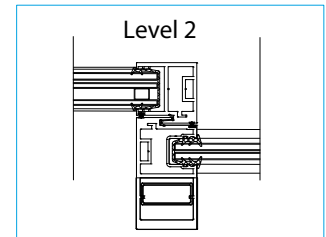
GLASS FINISH: Painted, serigraphy and digital printed.

NOTE: Interlayer could be SGP or PVB.

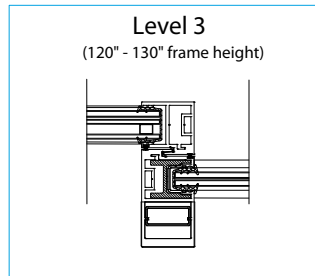
Reinforcement options



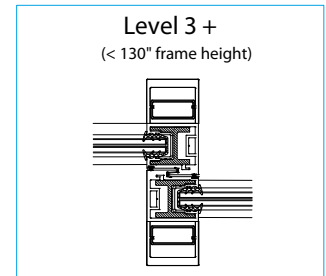
Level 1



Level 2



Level 3
(120" - 130" frame height)



Level 3 +
(< 130" frame height)

Aluminum

ALLOY 6063-T6
ALLOY 6005-T5

For more information about aluminum and finishes consult ALUTIONS®.

Measurements

Maximum tested sizes per panel:

Width: 60"
Height: 144"

Sealant

APPROVED SILICONE SEALS:

WEATHERPROOFING SILICONE:

Used to seal profile unions to avoid air and water infiltration.

- Dowsill 791 (Black-White)

STRUCTURAL SILICONE:

Besides acting as a sealant it is capable to support high loads. This silicone is commonly used to support the glass in facades and hurricane resistant products.

- Dowsill 983
- Dowsill 995

Certifications might not consider every configuration. Tests values correspond to the highest values obtained for some configurations; they can vary and may not apply to all. **VERIFY APPROVAL FOR EACH SPECIFIC CONFIGURATION.**