



# DOUBLE HUNG NEW CONSTRUCTION

Thermally Advanced High  
Performance Window Series



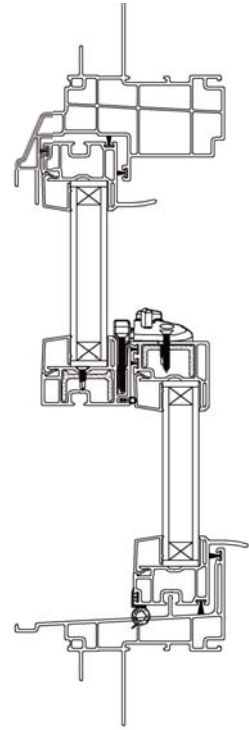
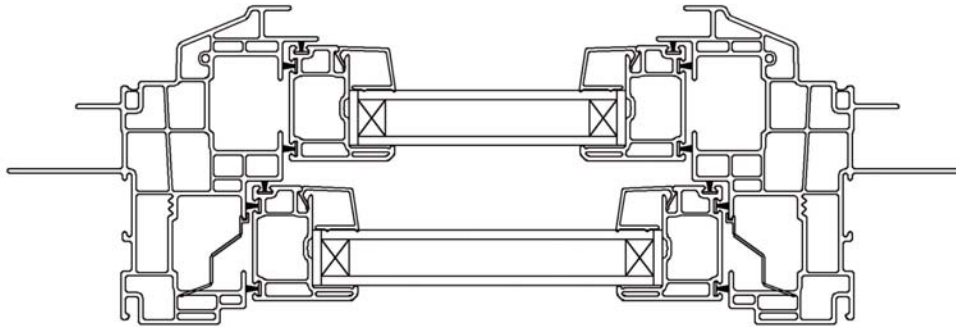
565 Cedar Way • Oakmont, PA 15139 • 1-800-424-3573 • [www.chelseabuildingproducts.com](http://www.chelseabuildingproducts.com)





# DOUBLE HUNG NEW CONSTRUCTION

## Thermally Advanced High Performance Window Series



### 1800 Series Features

- Models include: Double Hung with matching high-performance XX Horizontal Slider and universal direct set Picture Window.
- Designed to meet and exceed Energy Star Version 6.0.
- Through continued technological advances in window design, this window has been engineered to meet and exceed NFRC's stringent test standards .
- Enhanced exterior bevel on the frame gives it a soft look.
- Designed for replacement and new construction. For ease of new construction installation, it comes with a pre-punched nailing fin.
- Triple seal weatherstripping engineered to ensure maximum contact throughout window – located at the stiles, head, interlock and sill. Provides extra protection against air-infiltration which enhances the energy efficiency.
- Multi-hollow profile for thermal and structural integrity with strategically placed internal walls.
- Frame accepts stamped installation tie-straps.
- Screen track contour acts as a natural drip edge. Screen pocket designed for full screen applications.
- Fusion welded sash and frame corners assure that this window stays true and square, and fits the rough opening.
- Unique interlock extension provides full interlock contact and pile compression from jamb to jamb.
- Subtle accessory grooves come standard so you can securely accommodate trim and other attachments. Multiple accessories available. Optional T-mull.
- Accepts the most up-to-date innovative hardware.
- Accepts a range of insulated glass from 3/4" dual pane to 1-1/4" triple pane thickness.
- Utilizes Chelsea's Ccore<sup>®</sup> composite reinforcement.
- Vertical sill walls align with jamb walls for superior weld strength.
- Deep sash penetration in the frame.
- Hand rails have ergonomically designed handles.
- High performance slope non-weep sill.
- Base designed to accept multiple siding options as well as brick exteriors.

### Performance Results

#### Structural

Test Standard - AAMA/WDMA/CSA 101/I.S.2/A440.11, NAFS

**LC55**

#### Thermal Simulation

**.14 U-Value capable**

#### STC/OITC (Outdoor-Indoor Transmission Class)

**34/28**

#### Air Infiltration

**.07**



©2016CBP 1800-INOVIEW-NCDH-10-16