



MRT DOLLY

STOCK: 98790

Designed for use with a Wood's Powr-Grip® model MRT4 or MRTA8 lifter, this option provides an easy way to move the lifter around a job site.

Lifter and Extension Arm Mounts

Hold equipment in place securely with cotterless hitch pins

Compact Design

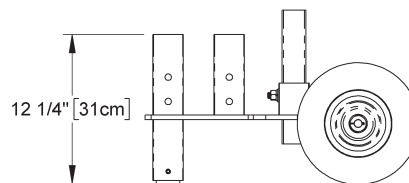
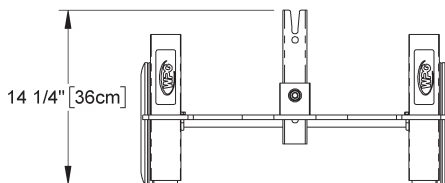
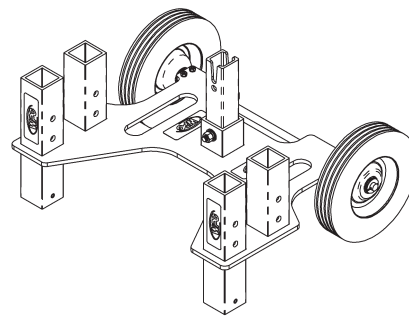
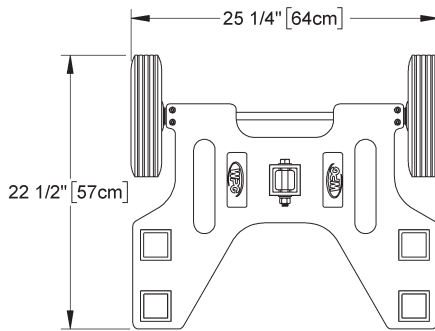
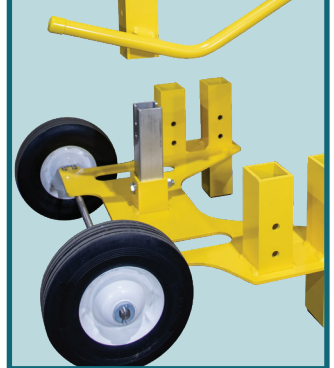
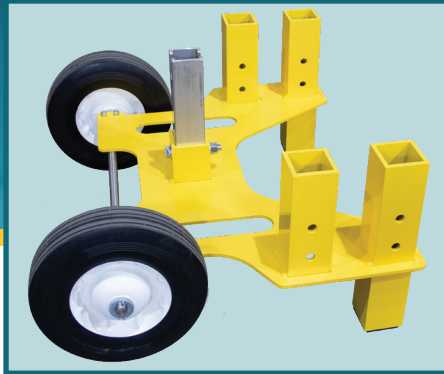
Allows storage of a lifter in tight spaces

Solid-Core Tires

Hold up to the rigors of regular use and require minimal maintenance—won't go flat!

Built-In Handles

Make it easier to lift into or out of a vehicle when not in use—the fixed axel can be used as a handle, too



Weight: 34 lbs [15 kg] | Tire diameter: 10" OD

The MRT Dolly is compatible with the following vacuum lifter models: MRT411LDC, MRT411LDC2, MRT411LDC3, MRTA611LDC, MRTA611LDC2, MRTA811LDC2, and MRTA811LDC3.



Based on product information at time of publication.
Environmental conditions can affect product performance and longevity; consult the product instructions on WPG.com or contact a Technical Sales Representative for more information.