

LADDER LIFT

MODEL: LL185

This device make installing high windows an easy, 2-person job

Alternative Choice

Looking for a quicker, simpler set-up than scaffolding? Use the ladder lift to complete smaller jobs!

Straightforward Design

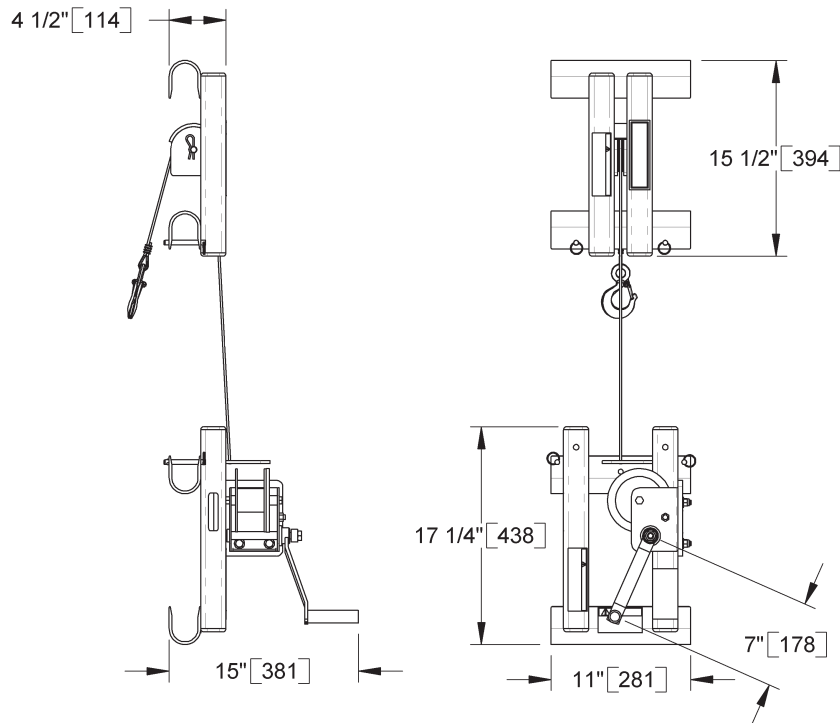
You can rely on its efficient winch-and-pulley system; small size makes it easy to store, too.


Pairs with WPG Adjustable Frame

Moving hand cups allows you to handle loads of various sizes and dimensions.



Although this lifter was specially designed for certain uses, it may be effective in many other applications. Contact us for more information.



Model	LL185
Maximum Load Capacity	185 lbs [85 kg] (with ANSI Type IAA / 375 lbs [170 kg] capacity ladder – sold separately)
Maximum Lifting Height	30 ft. [9.1 m]
Ideal Uses	Installing upper-story windows in homes or office complexes
Load Movement	Vertical 

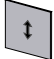
STANDARD FEATURES

Auto-Braking Winch

Smoothly and easily hoists heavy loads, and automatically keeps them suspended

Sold Separately

- Vertical Lifter Hand Cup Frame (see additional specifications below)
- Center Arm Option for Vertical Lifter (see additional description below)
- Hand Cups (with alternative pad compounds; see additional description below)
- ANSI Type IAA / 375 lbs [170 kg] Capacity Ladder

Model	VL2MAN (97935)
Maximum Load Capacity	185 lbs [85 kg] (with two 8" [20 cm] Wood's Powr-Grip Hand Cups—sold separately)
Load Movement	Vertical 
Power System	Manual Pumping
Maximum Pad Spread (L x W)	8-1/4" x 41-3/4" [21 cm x 106 cm] (with two 8" [20 cm] Wood's Powr-Grip Hand Cups—sold separately)
Minimum Pad Spread (L x W)	8-1/4" x 16-3/4" [21 cm x 42 cm] (with two 8" [20 cm] Wood's Powr-Grip Hand Cups—sold separately)
Lifter Weight	20 lbs [9 kg] (without Hand Cups) 25 lbs [12 kg] (with Hand Cups)
Lifter Weight with Center Arm	26 lbs [12 kg] (without Hand Cups) 34 lbs [16 kg] (with Hand Cups)
Operating Temperature Range	10°F [-12° C] to 120° F [49° C]

AVAILABLE OPTIONS

Adjustable Center Arm (97933)

Provides additional support for taller windows, by increasing the Pad Spread of the Hand Cup Frame (Specifications not as listed above. Please contact WPG for more information)

Alternative Pad Compounds

Specially designed for heat resistance, marking resistance, coated surfaces and other purposes

Based on product information at time of publication.
Environmental conditions can affect product performance and longevity; consult the product instructions on WPG.com or contact a Technical Sales Representative for more information.

